

- Band 5, RF-Tx SAW Filter
- Revision 0: April 2014

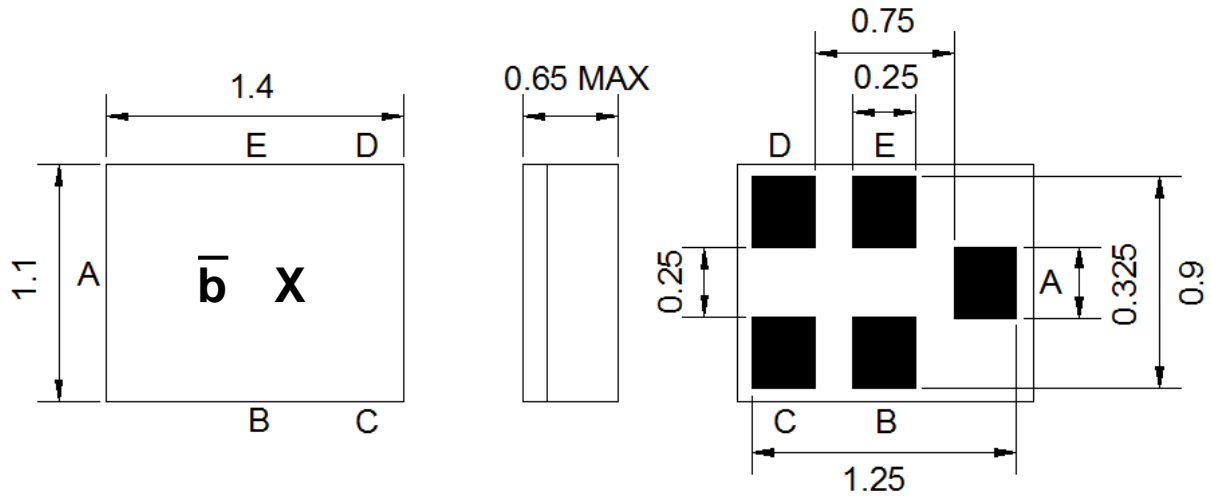
### Electrical Characteristics

MAXIMUM RATING				
PARAMETERS DESCRIPTION	UNIT	MINIMUM	TYPICAL	MAXIMUM
Operating Temperature Range	°C	-30	-	+85
Storage Temperature Range	°C	-40	-	+85
Maximum DC Voltage	V	-	-	0
Maximum Input Power	dBm	-	-	10
Source Impedance (single ended)	Ω	-	50	-
Load Impedance (single ended)	Ω	-	50	-
Package type & size	C21			
Length x Width	mm <sup>2</sup>	-	1.4 x 1.1	-
Height	mm	-	-	0.65

ELECTRICAL SPECIFICATION				
PARAMETERS DESCRIPTION	UNIT	MINIMUM	TYPICAL	MAXIMUM
Center Frequency (Fo)	MHz	-	833.0	-
Max.Insertion Loss within 817.0 ~ 849.0 MHz	dB	-	2.4	3.5
Amplitude Ripple within 817.0 ~ 849.0 MHz	dB <sub>p-p</sub>	-	1.0	2.0
Return Loss within 817.0 ~ 849.0 MHz	dB	8	9	-
Attenuation:				
D.C. ~ 750.0 MHz	dB	40	43	-
750.0 ~ 800.0 MHz	dB	35	39	-
855.0 ~ 856.0 MHz	dB	5	10	-
855.5 ~ 862.0 MHz	dB	5 <sup>(1)</sup>	11 <sup>(1)</sup>	-
862.0 ~ 894.0 MHz	dB	20	23	-
894.0 ~ 1200.0 MHz	dB	30	40	-
1200.0 ~ 2000.0 MHz	dB	25	31	-

**Notes:** (1) at room temperature(25°C)

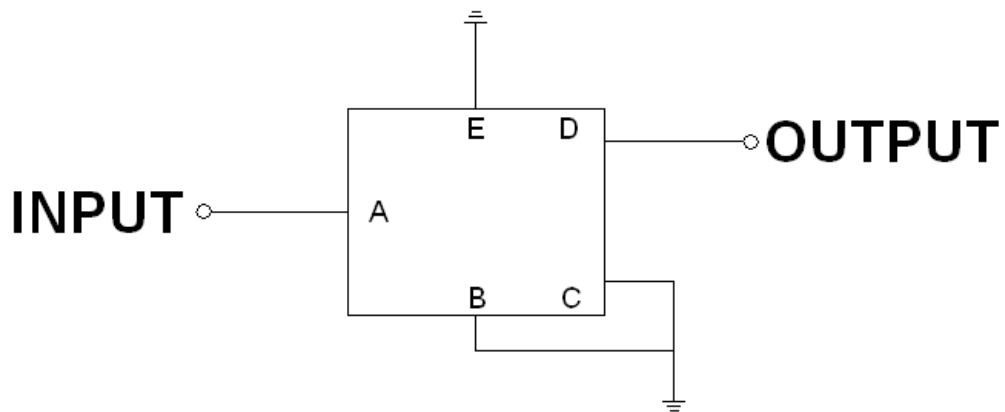
## Package Dimensions



Marking Descriptions	
$\bar{b}$	Series Number
X	Date Code (Year+Month)

Pin Description	
B, C, E	Ground
A	Input
D	Output

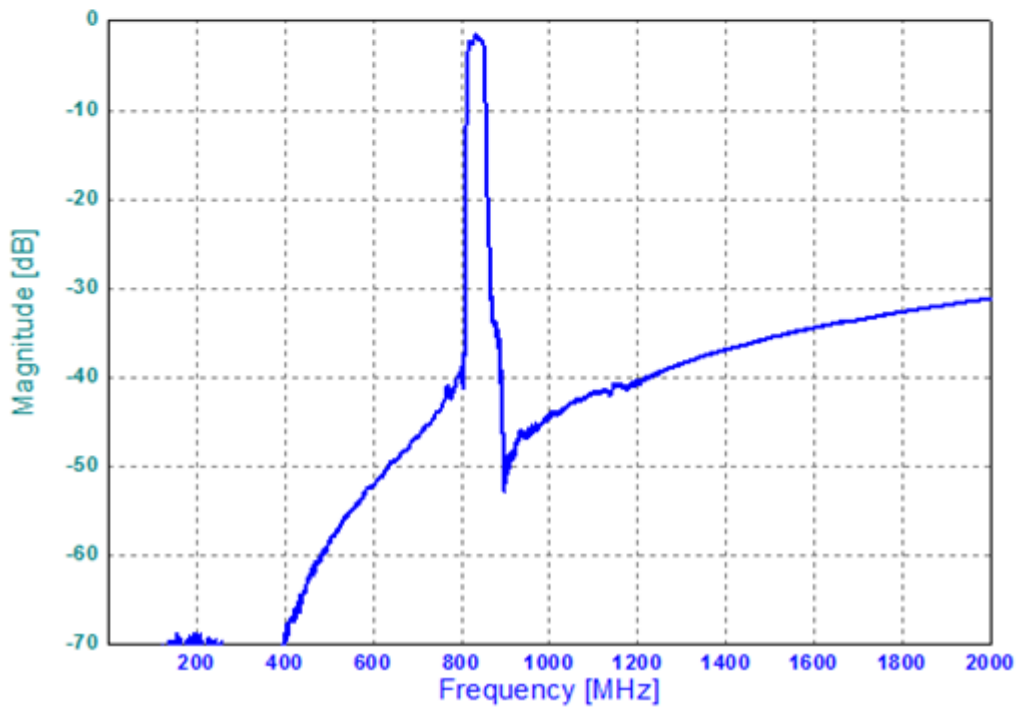
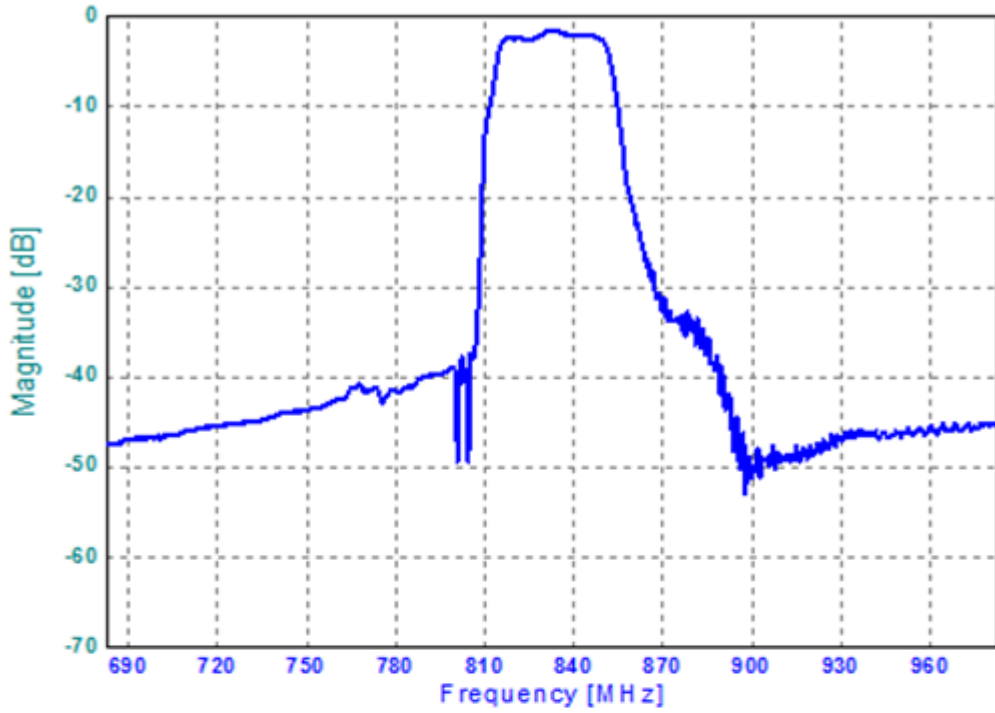
## Testing Environment



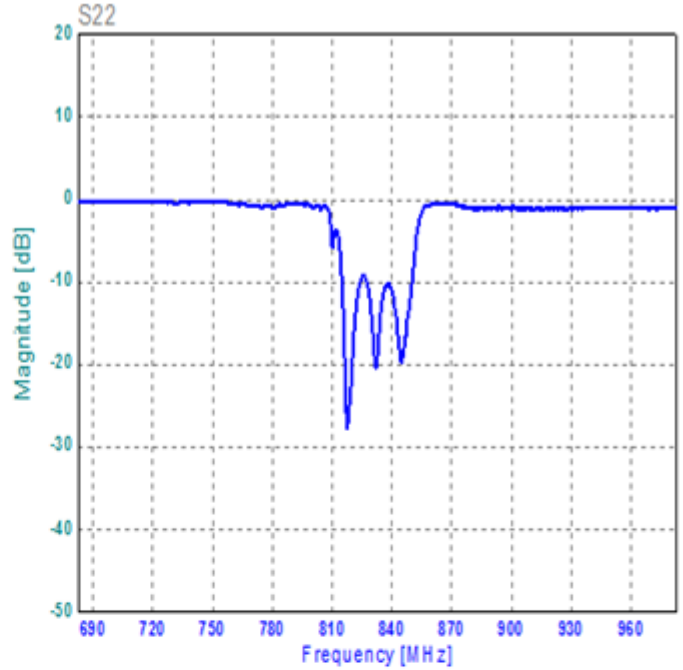
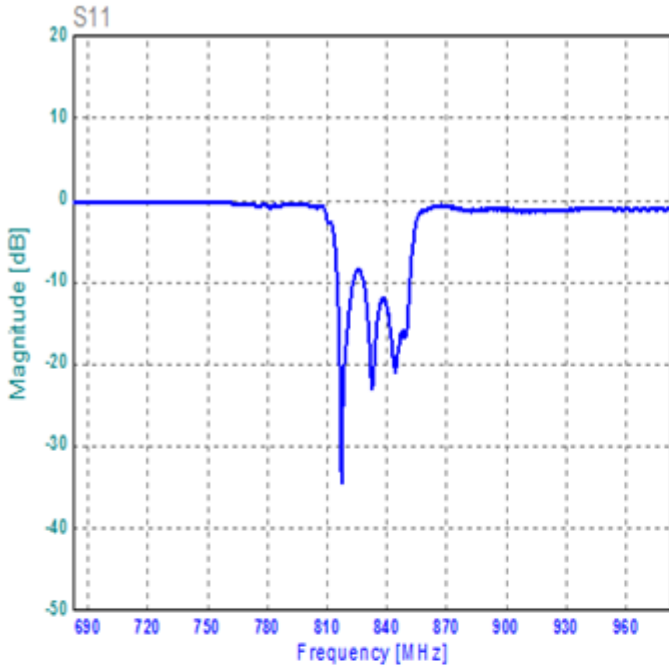
Source & Load Impedance: 50  $\Omega$

**Frequency Characteristics**

**Frequency Response**



**Return Loss**



**Smith Chart**

